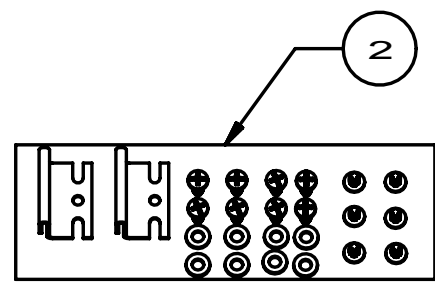
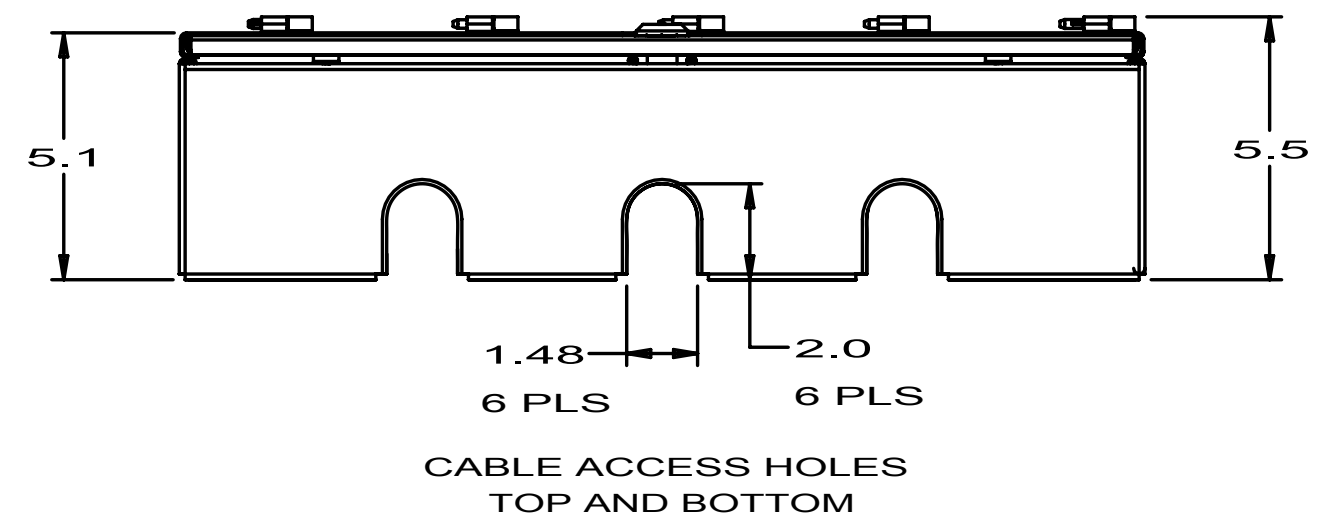
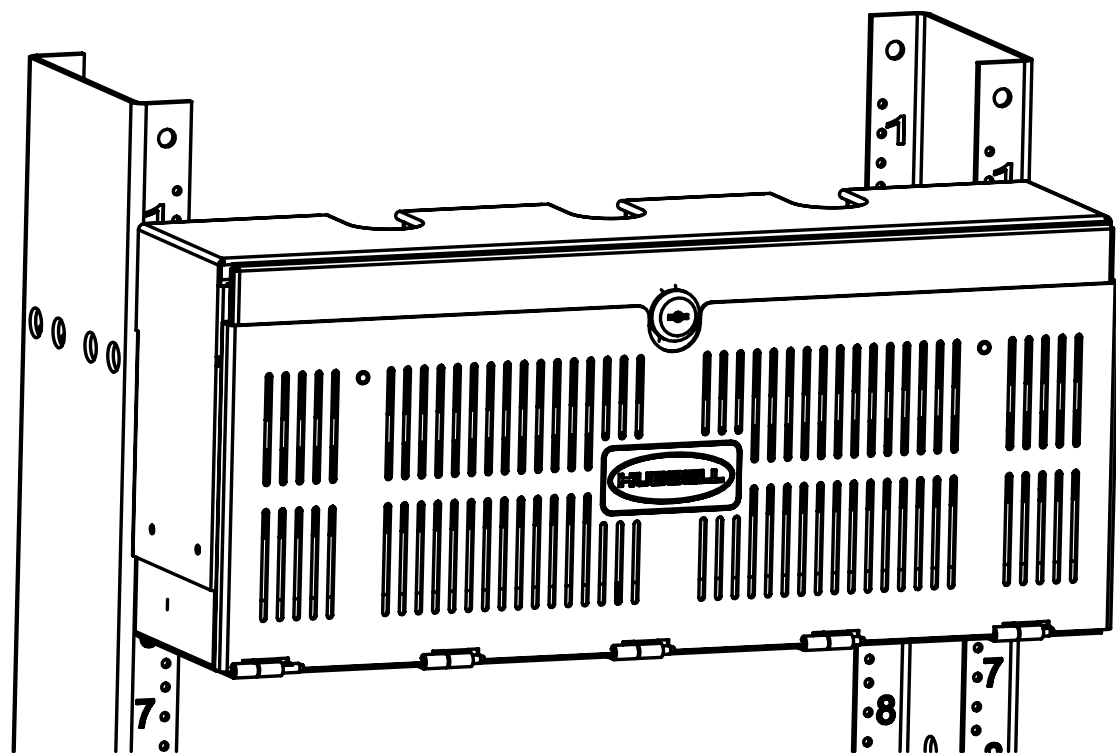
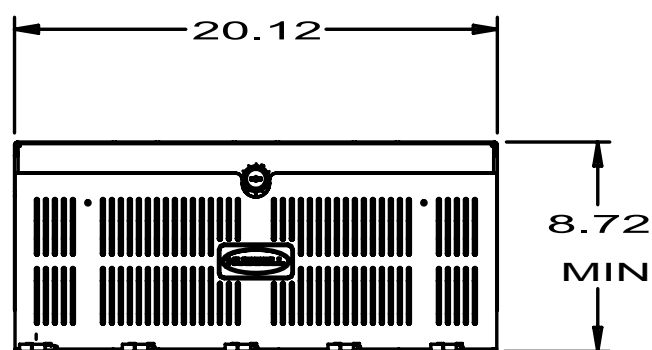
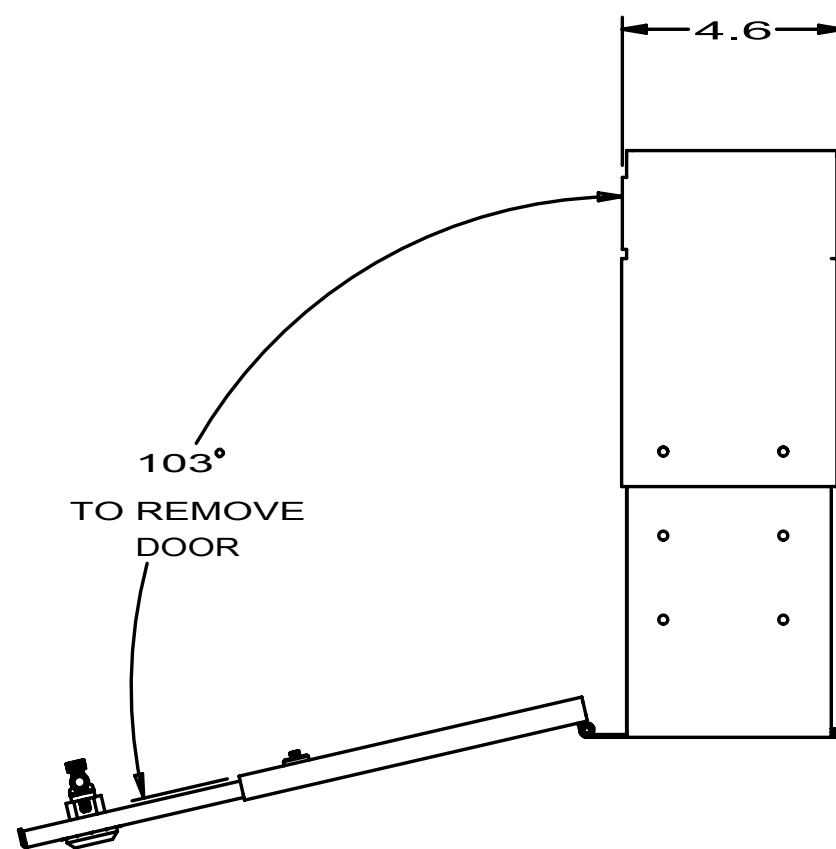


2	HARDWARE PACK	1
1	TELESCOPING SECURITY ASSEMBLY	1
PC NO	PART NAME	QTY

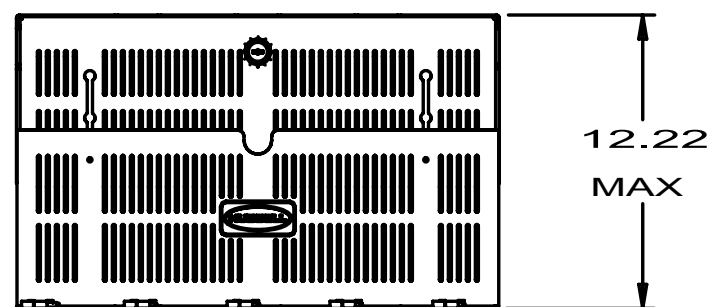
CATALOG NUMBER	DESCRIPTION	COLOR
HSE46	4-6 RU TELESCOPING SECURITY ENCLOSURE	BLACK



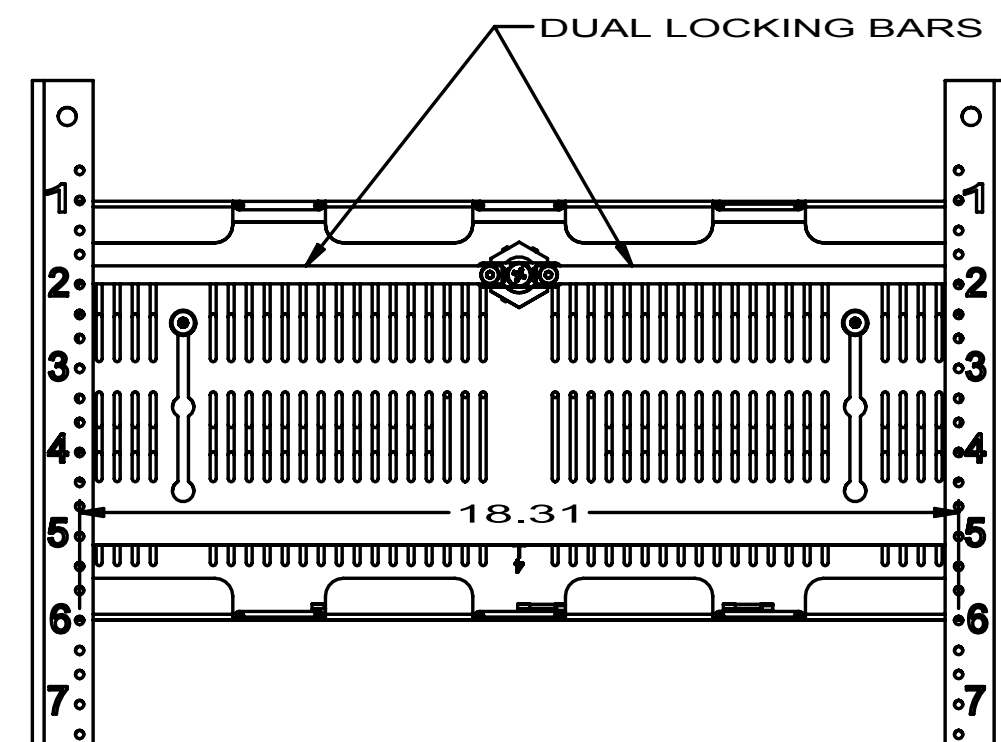
HARDWARE BAG-
SECURITY CLIPS &
ASSEMBLY SCREWS



COLLAPSED POSITION
OCCUPIES 5RU WITH
4 USABLE RACK UNITS



EXTENDED POSITION
OCCUPIES 7RU WITH
6 USABLE RACK UNITS




NOTES UNLESS OTHERWISE SPECIFIED:

- SPECIFICATIONS SUBJECT TO CHANGE WITHOUT NOTICE.

Created on V-13 UNIGRAPHICS

~~DIMENSIONING AND TOLERANCING PER
ANSI Y14.5M-1982.
UNLESS OTHERWISE SPECIFIED,
DIMENSIONS ARE IN INCHES [MM].
TOLERANCES
.XX = ±.01 []
.XXX = ±.005 []
.XXXX = ±.0025 []
ANGLE TOL ±1°~~

IN ACCEPTING OUR DRAWINGS,
BLUEPRINTS, OR SUPPORTING
DOCUMENTATION FOR QUOTATION
OR OTHER PURPOSES, YOU AGREE
NOT TO DISCLOSE TO OTHERS
THE IDEAS, INFORMATION, OR
DESIGNS SHOWN HEREIN, AND
THAT YOU WILL MAKE NO USE
OF SAME WITHOUT PERMISSION.

COMPONENTS CONTAINED IN THIS DOCUMENT MUST ADHERE TO ENVIRONMENTAL SPEC. HWS12367			
PROJECT REFERENCE: 2014-003		 Hubbell Premise Wiring HUBBELL INCORPORATED (Delaware) 23 Clara Drive Suite 103, Mystic, Connecticut 06355	
MATERIAL:		TITLE: TELESCOPING SECURITY ENCLOSURE	
DRAWN BY: D. PECK 4/24/14		SIZE: C	DRAWING NO.: HWS14473C
CHECKED BY:		REV.: C	
APPROVED BY:		SCALE: NTS	SHEET 1 of 1

C	19660	7/16/15	ADDED CABLE SLOTS	DMP	
REV.	ECN	DATE	DESCRIPTION	CHG BY	APPD BY